

DSCT-10 / 16 / 24

분할형 CT [저압용]

Split Type Current Transformer



DSCT-10



DSCT-16



DSCT-24



DSCT-10



DSCT-16



DSCT-24

Applications

- Current measurement, monitoring and protection for electrical wiring and equipment.
- Current and power measurement for electric motors, lighting, air compressor, heating and ventilation system, air-condition equipment and automation-control system.
- Current, power and energy monitoring device.
- Relay protection device.
- Data center

Features

- The structure of the self-locking, safe, easy to install, portable.
- Wide range of sizes to accommodate all the existing installations.
- Isolated plastic case recognized according to UL94-V0.
- Wires plugs, Audio plugs, Power plugs and so on five kinds of plugs.

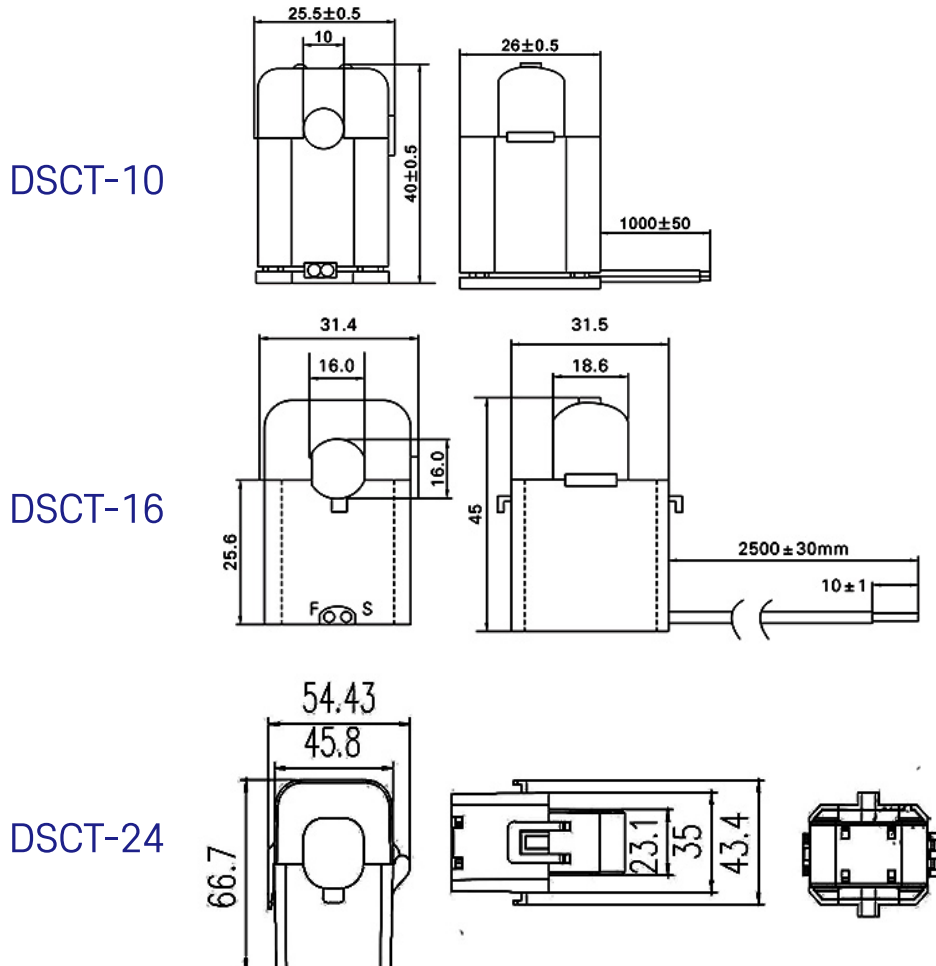
Technical Data

Electrical Parameter		Mechanical Parameter	
Frequency	50-2KHz	Case	PA/UL94-V0
Rated Input	5A-200A	Bobbin	PBT
Measuring range	10-120%In	Core	Silicon steel
Rated Output	0.333V(AC) or 0-500mA	Internal structure	Epoxy
Ratio	$\leq \pm 1.0\%$	Construction	Tie
Phase angle	$\leq \pm 60\text{min}$	Operation Temp	-25°C ~ +75°C
Dielectric strength	2.5KV/1mA/1min	Operating Humidity	$\leq 85\%$
Insulation Resistance	DC500V/100MΩ min	Output Connection	UL1015 20AWG Wire

Specifications

MODEL	DSCT-10	DSCT-16	DSCT-16	DSCT-24
Current Ratio	75A/25mA	120A/40mA	200A/66.7mA	400A/ 80mA
Primary Current	75A	120A	200A	400A
Max.Current	75A	120A	240A	480A
Output	25mA	40mA	66.7mA	80mA
Load Resistance	20Ω	50Ω	50Ω	50Ω
Class	0.5			
Turns Ratio	3,000 : 1			5,000 : 1
Protection Level	7.5V0-P			
Insulation Category	CATIII			
Operating Conditio	-20°C ~ +50°C, ≤85%RH			
Storage Condition	No condensation, IN-house & Any direction installable			
	-30°C ~ +50°C, ≤85%RH, No condensation			

Dimensions



알텍시스템 | RTECH SYSTEM

경기도 화성시 안녕동 183-5

Tel · 031-258-1163

Fax · 031-258-1164