

# DSCT(H)-23/58

분할형 CT [고압용]

Split Type Current Transformer



DSCT(H)-23



DSCT(H)-58



DSCT(H)-23



DSCT(H)-58

## Applications

- Current measurement, monitoring and protection for electrical wiring and equipment.
- Current and power measurement for electric motors, lighting, air compressor, heating and ventilation system, air-condition equipment and automation-control system.
- Current, power and energy monitoring device.
- Relay protection device.

## Features

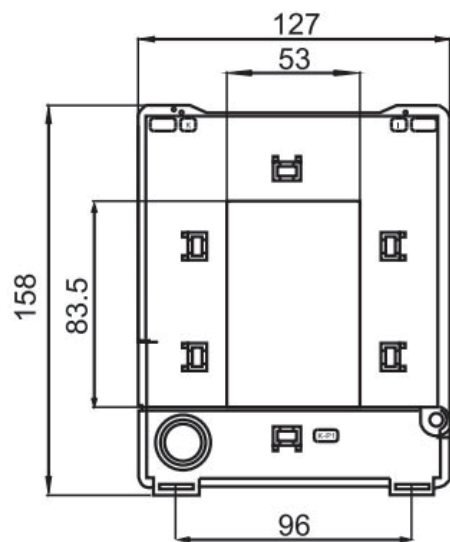
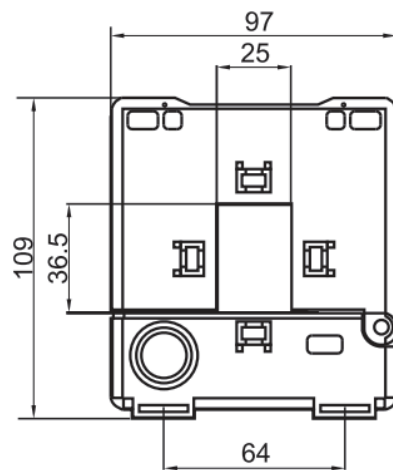
- Safe. Easy to install, portable.
- Wide inner window, allowing clamping of big cables or bus-bars.
- Wide range of sizes to accommodate all the existing installations.

## Specifications

Model	Ratio	Burden (VA)	
		Class : 0.5	Class : 1.0
HK-23	100/5A	/	2.5
	150/5A	/	2.5
	200/5A	2.5	5
	250/5A	5	5
	300/5A	5	5
	400/5A	5	5

Model	Ratio	Burden (VA)	
		Class : 0.5	Class : 1.0
HK-58	250/5A	/	2.5
	300/5A	2.5	5
	400/5A	5	5
	500/5A	5	5
	600/5A	5	10
	800/5A	10	10
	1000/5A	10	10
	1200/5A	10	10
	1500/5A	10	10
	1600/5A	10	10

### Dimensions



# 알텍시스템 | RTECH SYSTEM

경기도 화성시 안녕동 183-5

Tel · 031-258-1163

Fax · 031-258-1164